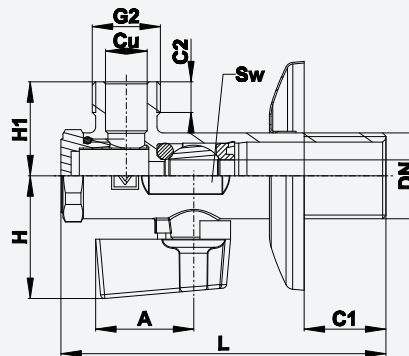


*Krogelni ventil kotni za vodo - s filtrom /
Kuglasti ventil kutni za vodu - sa filterom*

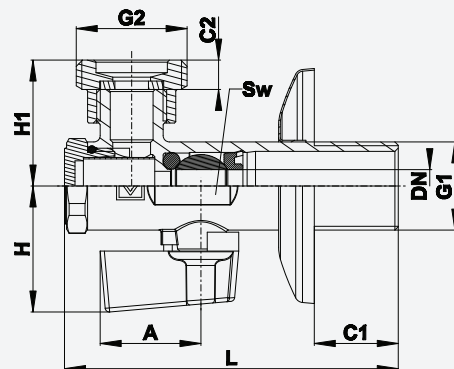
KV 553



art.	ident	EAN	DN	PN	G1	G2	C1	C2	L	A	H	H1	Sw	Cu		
KV 553	1223421	3830002824970	6	16	1/2"	3/8"	20	7,5	82	24	30	23	19	10	0.16	50

T = 0 °C...+90 °C

KV 554

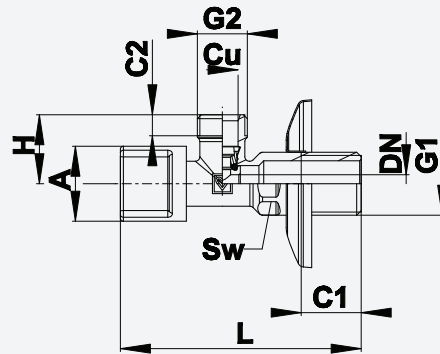


art.	ident	EAN	DN	PN	G1	G2	C1	C2	L	A	H	H1	Sw	Cu		
KV 554	1223422	3830002824987	8	16	1/2"	3/4"	20	7	82	24	30	30	19	0.2	50	

T = 0 °C...+90 °C



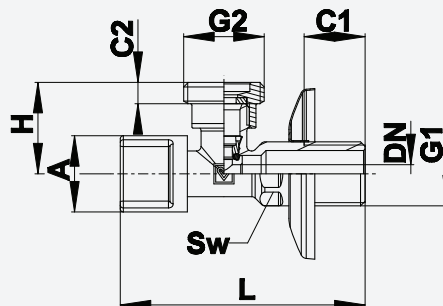
KV 550 - KV 551



art.	ident	EAN	DN	PN	G1	G2	C1	C2	L	A	H	Sw	Cu		
KV 550	1223412	3830002824949	6	16	1/2"	3/8"	20	7	80	26	23	19	10	0,1	50
KV 551	1223413	3830002824956	6	16	1/2"	1/2"	20	11,5	80	26	26	19	15	0,1	50

T = 0 °C...+90 °C

KV 552



art.	ident	EAN	DN	PN	G1	G2	C1	C2	L	A	H	Sw		
KV 552	1223414	3830002824963	6	16	1/2"	3/4"	20	7	80	26	30	19	0,13	50

T = 0 °C...+90 °C